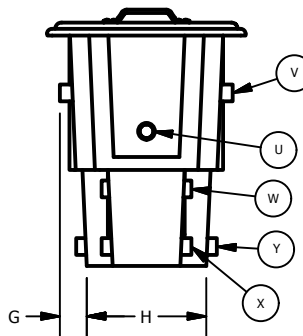
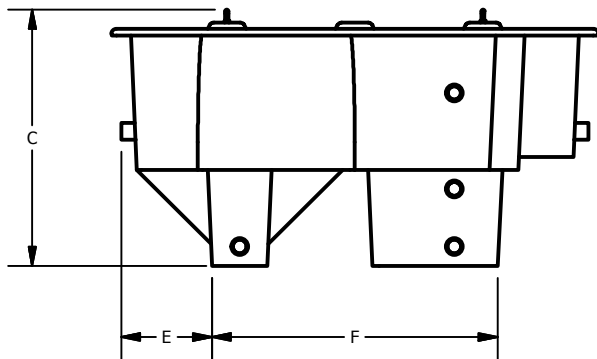
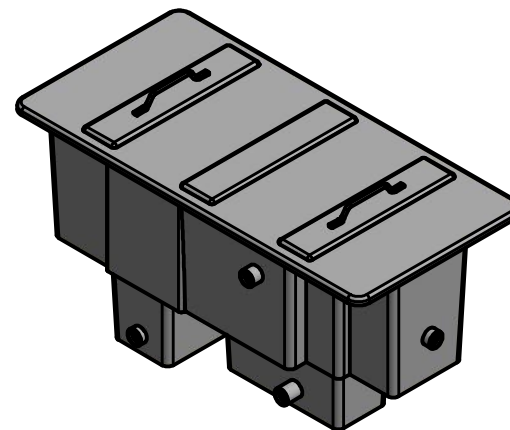
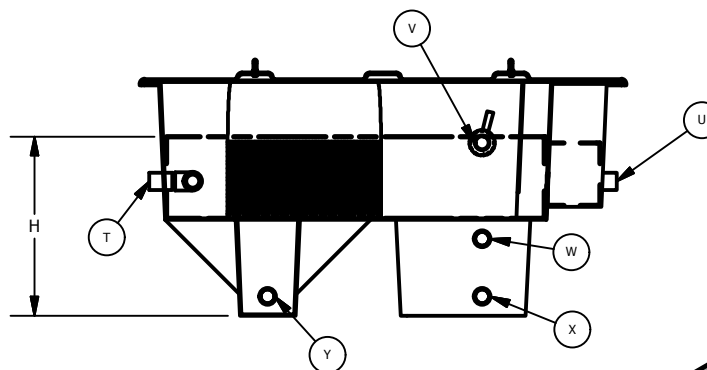
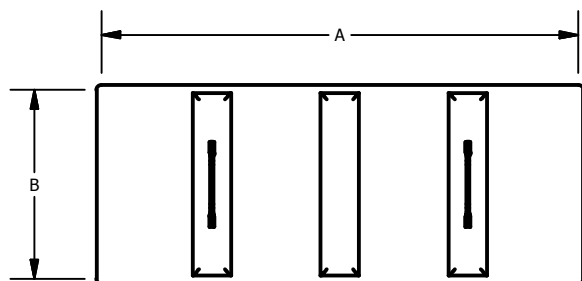


TABLE

MODEL NUMBER	Empty Weight (POUNDS)	TOTAL TANK OPERATING CAPACITY (GALLONS)	WATER WEIGHT (POUNDS)	TOTAL TANK OPERATING WEIGHT (POUNDS)	T, U	V	W, X, Y	(A) FT-IN	(B) FT-IN	(C) FT-IN	(E) FT-IN	(G) FT-IN
					INFLUENT & EFFLUENT PIPE SIZE (NPT)	OIL DISCHARGE PIPE SIZE (NPT)	OIL INFLUENT & EFFLUENT & SLUDGE HOPPER PIPE SIZE (NPT)					
2	75	54.86	458	533	2"	2"	2"	5-4	2-7	3-1	1-2	0-6
4	150	112.21	936	1086	2"	2"	2"	6-4	2-7	3-4	1-4	0-6
8	250	144.62	1207	1457	2"	2"	2"	6-4	2-7	4-4	1-4	0-6
12	350	220.68	1842	2192	3"	3"	3"	6-4	3-7	4-4	1-4	0-6
16	450	299.22	2497	2947	3"	3"	3"	6-4	4-7	4-4	1-4	0-6
24	750	456.31	3808	4558	4"	4"	3"	7-4	4-7	4-10	1-10	0-6
36	1000	553.56	4620	5620	4"	4"	3"	7-4	4-7	5-10	1-10	0-6



ISSUED FOR REFERENCE	HYDRO-FLO			HYDRO-FLO TECHNOLOGIES, INC. 3985 COMMERCE DRIVE ST. CHARLES, IL 60174 630-762-0380
	OWS-TS-FRP-XXX-TABULATED			
DATE: 4/30/2015	SIZE: A	DWG #: OWS-TS-FRP-XXX-TABULATED.idw	REV: 1	
MATERIAL: See Table	SCALE: None	CUSTOMER:	SHEET 1 of 1	

© 2015 HYDRO-FLO TECHNOLOGIES, INC. ALL RIGHTS RESERVED. HYDRO-FLO® IS A TRADEMARK OF HYDRO-FLO TECHNOLOGIES, INC. THIS DRAWING IS THE PROPERTY OF HYDRO-FLO TECHNOLOGIES, INC. AND IS PROPRIETARY AND CONFIDENTIAL, WHICH MUST NOT BE DUPLICATED, USED, DIVULGED, REPRODUCED, COPIED, DISCLOSED OR APPROPRIATED IN WHOLE OR IN PART FOR ANY PURPOSE UNLESS EXPRESSLY AUTHORIZED IN WRITING BY HYDRO-FLO TECHNOLOGIES, INC. THIS SHEET MUST BE RETURNED PROMPTLY UPON REQUEST.