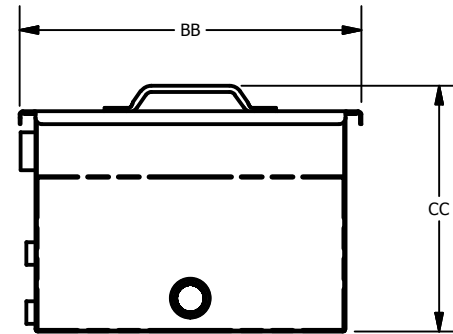
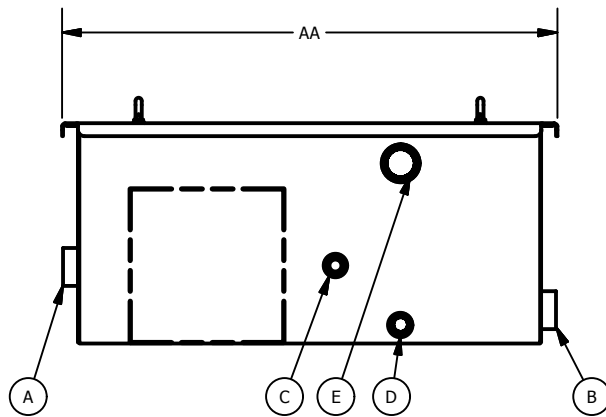


TABLE									
Model Number	AA Length (in)	BB Width (in)	CC Height (in)	Empty Weight (lbs)	Full Weight (lbs)	Effluent Capacity (Gallons)	Separation Capacity (Gallons)	Total Capacity (Gallons)	
ES-002	38.71	26.71	19.21	155.9	684.4	9.8	27.4	63.3	
ES-004	50.71	26.71	19.21	188.6	893.9	9.8	42.4	84.5	
ES-008	50.71	26.71	31.21	255.7	1458.3	19.7	84.8	144.1	
ES-012	50.71	38.71	31.21	333.7	2137.5	29.5	127.2	216.1	
ES-016	50.71	50.71	31.21	412	2817.7	39.4	169.6	288.2	
ES-024	62.71	50.71	31.21	471.5	3480.1	39.4	229.4	360.5	
ES-036	62.71	50.71	43.21	585.9	4833	59.1	344.1	509.6	



All Fittings - CLASS 150, 304SS, NPT

FITTING TABLE									
ID	FUNCTION	QTY	ES-002 SIZE	ES-004 SIZE	ES-008 SIZE	ES-012 SIZE	ES-016 SIZE	ES-024 SIZE	ES-036 SIZE
A	INFLUENT FITTING	1	2	2	2	2	2	3	3
B	EFFLUENT FITTING	1	2	2	2	2	2	3	3
C	OIL DISCHARGE FITTING	1	1	1	1	1	1	1	1
D	DRAIN FITTING	1	1	1	1	1	1	1	1
E	VENT FITTING	1	2	2	2	2	2	2	2
F	EFFLUENT PUMP LEVEL SENSOR	2	1	1	1	1	1	1	1

ISSUED FOR REFERENCE

DATE: 8/3/2015

MATERIAL: See Table

HYDRO-FLO
HYDRO-FLO TECHNOLOGIES, INC.
3985 COMMERCIAL DRIVE
ST. CHARLES, IL 60174
630-762-0380

TITLE: GENERAL ARRANGMENT

SIZE: A DWG #: OWS-ES-XXX-Tabulated.idw REV: 1

SCALE: None CUSTOMER: SHEET 1 of 2

© 2015 HYDRO-FLO TECHNOLOGIES, INC. ALL RIGHTS RESERVED. HYDRO-FLO® IS A TRADEMARK OF HYDRO-FLO TECHNOLOGIES, INC. THIS DRAWING IS THE PROPERTY OF HYDRO-FLO TECHNOLOGIES, INC. AND IS PROPRIETARY AND CONFIDENTIAL, WHICH MUST NOT BE DUPLICATED, USED, DIVULGED, REPRODUCED, COPIED, DISCLOSED OR APPROPRIATED IN WHOLE OR IN PART FOR ANY PURPOSE UNLESS EXPRESSLY AUTHORIZED IN WRITING BY HYDRO-FLO TECHNOLOGIES, INC. THIS SHEET MUST BE RETURNED PROMPTLY UPON REQUEST.